

Panasonic Installation Instructions Lighted Grill

The GU24 CFL lamp, part number FFV3420067S in several Panasonic lighted fan models has been discontinued in the market. The following LED grill part numbers FFV0511VQL1AA / FFV0511VQL1BB / FFV3400147S are now available as substitutes. Please refer to the fan models in the chart below when selecting the appropriate replacement service part.

Original				Substitute	
TYPE	Model	Grill Part Number	illustration	Grill Part Number	Parts
1	FV-08VQL6	FFV3420065S		FFV0511VQL1AA	Grill + Led Lamp + Adapter Wire
	FV-11VQL6				
	FV-15VQL6				
	FV-08VKL4				
	FV-08VKSL4				
	FV-11VKL4				
	FV-13VKL4				
	FV-13VKSL4				
	FV-08VKL3	FFV3420057S		FFV0511VQL1AA	Grill + Led Lamp + Adapter Wire
	FV-08VKSL3				
	FV-11VKL3				
	FV-13VKL3				
	FV-13VKSL3				
	FV-15VQL5				
FV-08-11VFL5	FFV3420065S	FFV3400147S	Grill + Led Lamp 		
FV-08VSL3	FFV3420073S	FFV0511VQL1AA	Grill + Led Lamp + Adapter Wire 		
FV-10VSL3					
FV-10VSL3E					
FV-11VQCL5	FFV3420058S	FFV0511VQL1BB	Grill + Led Lamp + Adapter Wire + Sensor Cover 		
FV-08VQCL5					
FV-08VKML3					
FV-13VKML3					
FV-08VQCL6	FFV3420068S	FFV0511VQL1BB	Grill + Led Lamp + Adapter Wire + Sensor Cover 		
FV-11VQCL6					
FV-08VKML4					
FV-13VKML4					

WARNING

This service information is designed for experienced repair technicians only and is not designed for use by the general public. It does not contain warnings or cautions to advise non-technical individuals of potential dangers in attempting to service a product. Products powered by electricity should be serviced or repaired only by experienced professional technicians. Any attempt to service or repair the product or products dealt with in this service information by anyone else could result in serious injury or death.

IMPORTANT SAFETY NOTICE

There are special components used in this equipment which are important for safety. These parts are marked by in the Schematic Diagrams, Exploded Views and Replacement Parts List. It is essential that these critical parts should be replaced with manufacturer's specified parts to prevent shock, fire or other hazards. Do not modify the original design without the manufacturer's approval. Please have a static electricity depletion process in place before handling these components.. Please use gloves when handling PCB parts during the repair process..

Contents:

General Safety Information and Dimension	2, 3
TYPE 1.....	4, 5
TYPE 2.....	6, 7

GENERAL SAFETY INFORMATION

For Your Safety

To reduce the risk of injury, loss of life, electric shock, fire, malfunction, and damage to equipment or property always observe the following safety precautions.

Explanation of symbol word panels

The following symbol word panels are used to classify and describe the level of hazard, injury, and property damage caused when the denotation is disregarded and improper use is performed.



Denotes a potential hazard that could result in serious injury or death.



Denotes a hazard that could result in minor injury.

The following symbols are used to classify and describe the type of instructions to be observed.

	This symbol is used to alert users to a specific operating procedure that must be followed in order to operate the unit safely.
	This symbol is used to alert users to a specific operating procedure that must not be performed.
	The symbol is used to alert users not to disassemble the equipment for reconstruction in order to reduce the risk of fire and electric shock.










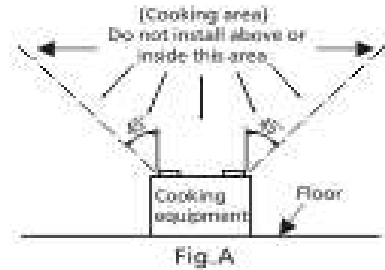
To reduce the risk of fire, electric shock or injury to persons, observe the following:

- Use this unit only in the manner intended by the manufacturer. If you have any questions, contact the manufacturer.
- Before servicing or cleaning unit, switch power off at service panel and lock the service disconnecting means to prevent power from being switch on accidentally. When the service disconnecting means cannot be locked, securely fasten a prominent warning device, such as a tag, to the service panel.
- Installation work and electrical wiring must be done by qualified person(s) in accordance with all applicable codes and standards, including fire-rated construction.
- If this unit is to be installed over a tub or shower, it must be marked as appropriate for the application and be connected to a GFCI (Ground Fault Circuit Interrupter) - protected branch circuit.
- Canada only: Not to be installed in a ceiling thermally insulated to a value greater than R40.
- A statement to the effect that when the product is to no longer be used, it must not be left in place but removed to prevent from possibly falling.
- Do not disassemble the unit for reconstruction.
- Do not install with a method which is not approved in the instructions.

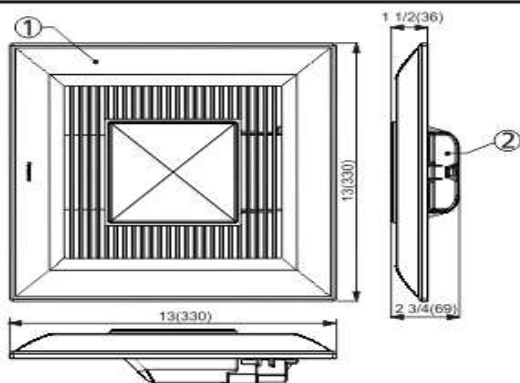
GENERAL SAFETY INFORMATION CONTINUED

⚠ CAUTION

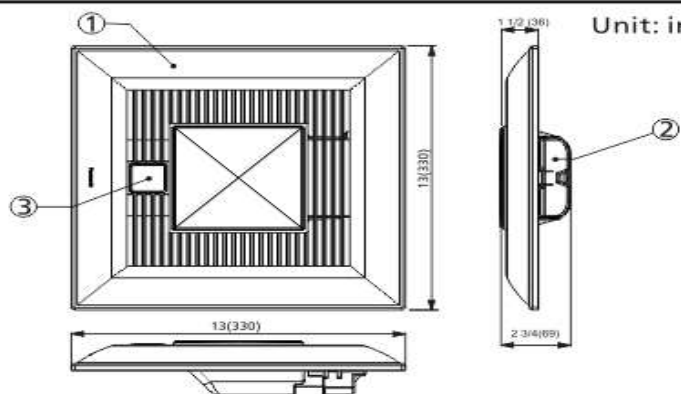
-  Do not install this lighting unit where interior room temperature may exceed 104°F(40°C).
-  Make sure that the electric service supply voltage is AC 120V, 60 Hz.
-  Follow all local electrical and safety codes, as well as the National Electrical Code (NEC) and the Occupation Safety and Health Act (OSHA).
-  Always disconnect the power source before working on or near the fan, motor, lighting unit or junction box.
-  Protect the supply wiring from sharp edges, oil, grease, hot surfaces, chemicals or other objects.
-  Do not kink the supply wiring.
-  Not for use in cooking area. (Fig.A)



DIMENSIONS

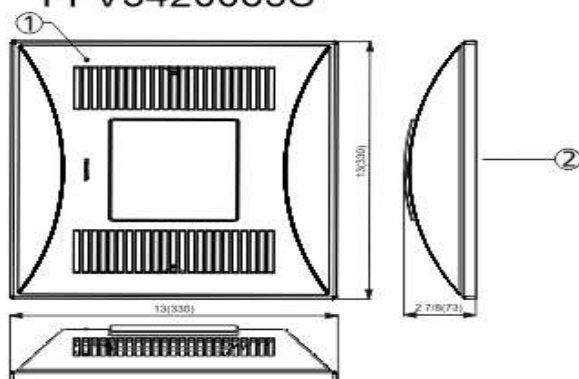


FFV3420065S



FFV3420058S / FFV3420068S

Unit: inches(mm)



FFV3420073S

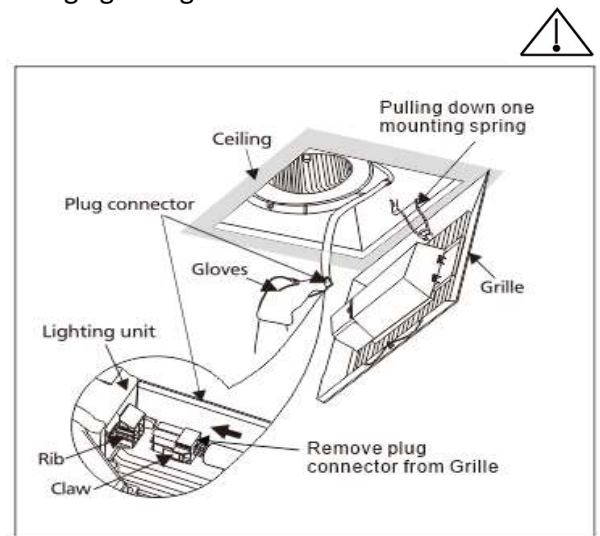
No.	Part name
①	Grille
②	lighting unit
③	Sensor Cover for motion sensor

TYPE 1

Applicable Models: FV-08VQL6, FV-11VQL6, FV-15VQL6, FV-08VKL4, FV-08VKSL4, FV-11VKL4, FV-13VKL4, FV-13VKSL4, FV-08VKL3, FV-08VKSL3, FV-11VKL3, FV-13VKL3, FV-13VKSL3, FV-15VQL5, FV-08-11VFL5, FV-08VSL3, FV-10VSL3, FV-10VSL3E

Please refer to the following instructions below when replacing existing lighted grill containing GU24 CFL lamps part # **FFV3420067S**

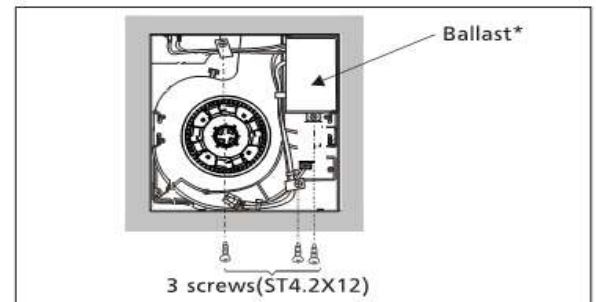
1. Remove the grill by pulling down the mounting spring. Remove the plug connector then pull down the other mounting spring (Squeeze mounting spring and pull down carefully). **(Fig.1)**



(Fig.1)

Model: FV-08VKL3, FV-08VKSL3, FV-11VKL3, FV-13VKL3, FV-13VKSL3, FV-15VQL5.

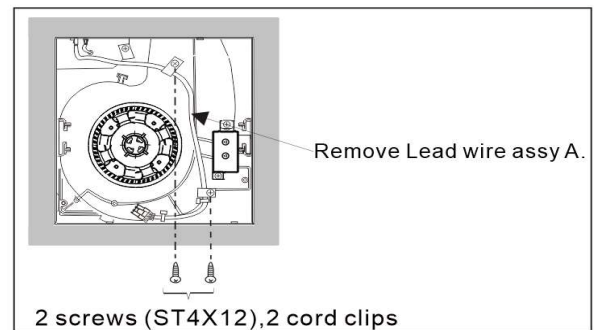
Remove the Ballast by unfastening the 3 screws (ST4.12X12) and discard. **(Fig.2)**



(Fig.2)

2. Applicable to Models: FV-08VQL6, FV-11VQL6, FV-15VQL6, FV-08VKL3, FV-08VKSL3, FV-11VKL3, FV-13VKL3, FV-13VKSL3, FV-15VQL5.

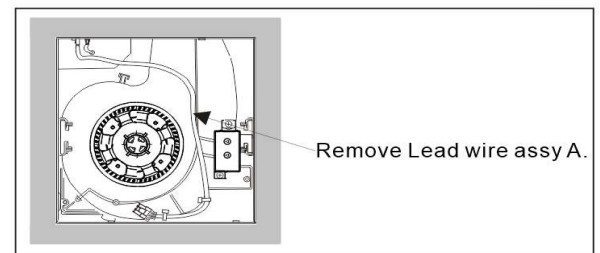
Remove the Light Lead Wire Assy A, discard the screws, cord clips and Lead wire. **(Fig.3)**



(Fig.3)

3. This operation apply Models: FV-08-11VFL5, FV-08VSL3, FV-10VSL3, FV-10VSL3E, FV-08VKL3, FV-08VKSL3, FV-11VKL3, FV-13VKL3, FV-13VKSL3, FV-15VQL5.

Remove the Light Lead Wire Assy A and discard. **(Fig.4)**



(Fig.4)

TYPE 1 Continued.

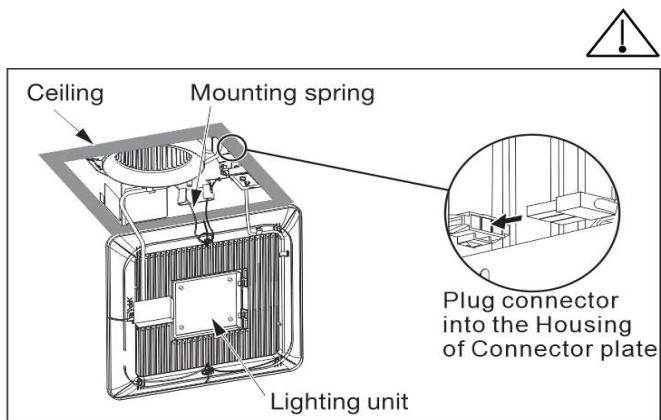
Installation Guide for Replacement grills FFV0511VQL1AA and FFV3400147S

Models: FV-08VQL6, FV-11VQL6, FV-15VQL6, FV-08VSL3, FV-10VSL3, FV-10VSL3E, FV-08VKL4, FV-08VKSL4, FV-11VKL4, FV-13VKL4, FV-13VKSL4, FV-08VKL3, FV-08VKSL3, FV-11VKL3, FV-13VKL3, FV-13VKSL3, FV-15VQL5. **Install part # FFV0511VQL1AA**

Model: FV-08-11VFL5 **Install part # FFV3400147S**

Insert the new substitute grill with one mounting spring ,
Insert the Plug Connector into the Housing of Connector Plate.

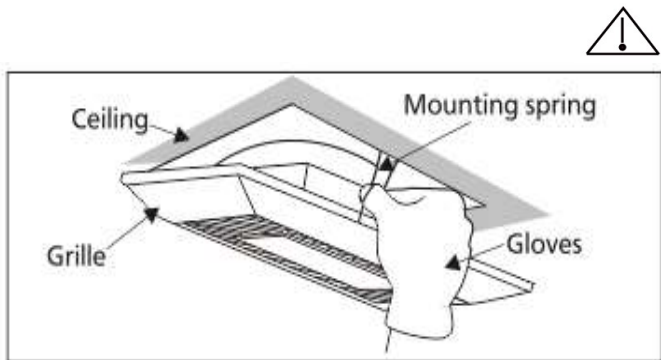
(Fig.5)



(Fig.5)

Insert the second mounting spring into the slot as shown to attach grill to fan body.

(Fig.6)



(Fig.6)

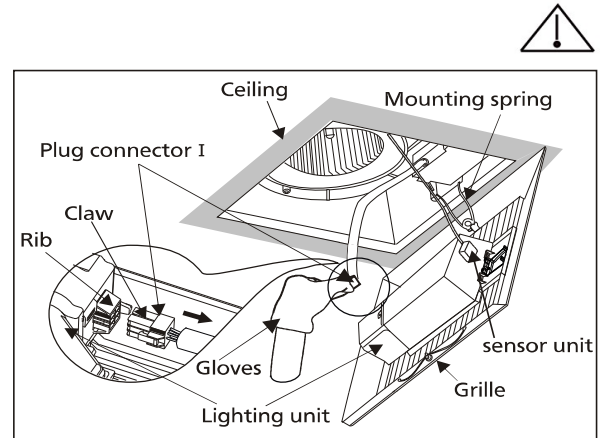
TYPE 2

Applicable Models: FV-11VQCL5, FV-08VQCL5, FV-08VKML3, FV-13VKML3, FV-08VQCL6, FV-11VQCL6, FV-08VKML4, FV-13VKML4

Please refer to the following instructions below when replacing existing lighted grill containing GU24 CFL lamp part # FFV3420067S

1. Remove the grill by pulling down the mounting spring. Remove the plug connector then pull down the other mounting spring by squeezing the spring carefully). Remove the motion sensor from grill. Discard grill only. Motion sensor will be reinstalled into the substitute grill.

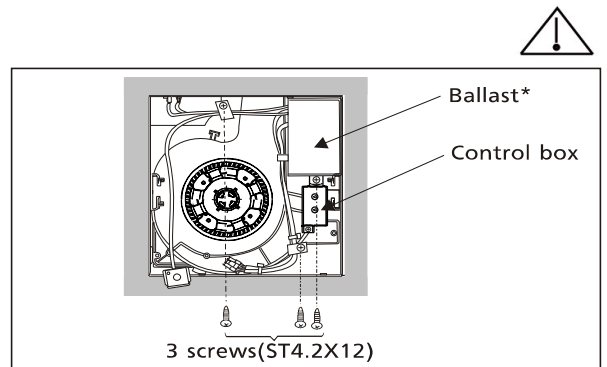
(Fig.1)



(Fig.1)

- Model:** FV-11VQCL5, FV-08VQCL5, FV-08VKML3, FV-13VKML3
- Remove the Ballast by unfastening the 3 screws (ST4.12X12) and discard.

(Fig.2)

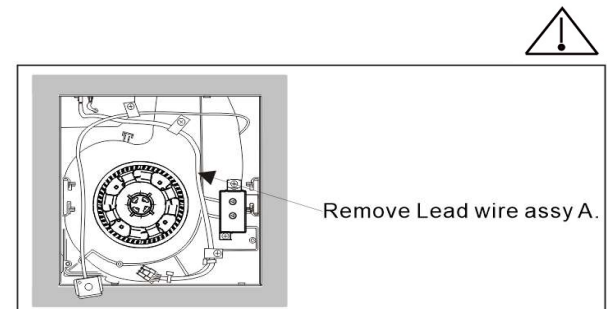


(Fig.2)

- Models:** FV-11VQCL5, FV-08VQCL5, FV-08VKML3, FV-13VKML3, FV-08VQCL6, FV-11VQCL6, FV-08VKML4, FV-13VKML4

- Remove the Light Lead Wire Assy A and discard wire clip and screw .

(Fig.3)



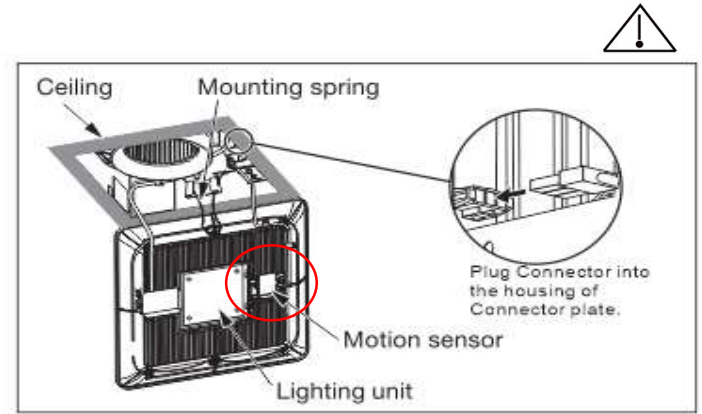
(Fig.3)

TYPE 2 Continued

Installation Guide for Substitute grill part # FFV0511VQL1BB

Models: FV-11VQCL5, FV-08VQCL6, FV-11VQCL6

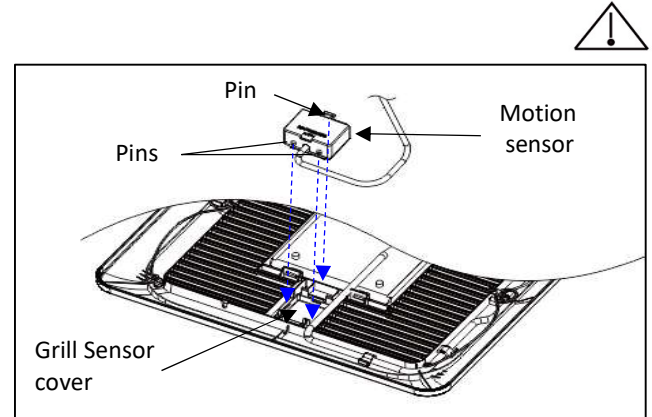
Insert the new substitute grill mounting on one spring clip,
Insert the plug connector into the housing of connector plate.
(Fig.4)



(Fig.4)

How to Install the Motion Sensor in Sensor Cover

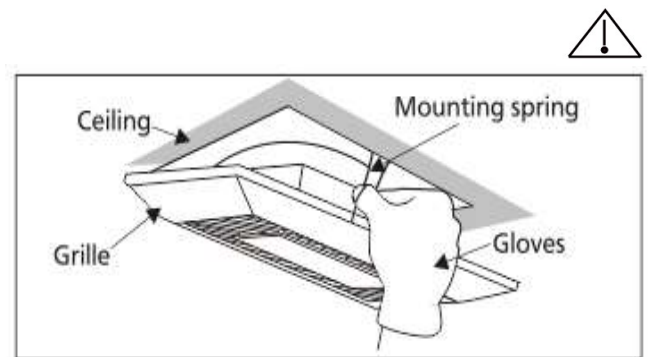
- Insert the motion sensor pin side into the Grill Sensor Cover,
until you hear Click. **(Fig. 5)**



(Fig.5)

Models: FV-11VQCL5, FV-08VQCL5, FV-08VKML3, FV-13VKML3
FV-08VQCL6, FV-11VQCL6, FV-08VKML4, FV-13VKML4

Insert the second mounting spring into the slot as shown to attach
grill to fan body.
(Fig.6)



(Fig.6)

Contact Us

For technical support and troubleshooting please call Panasonic Call Center at 1-866-292-7299 {USA} or 1-800-669-5165 {Canada}
Monday-Friday 9 am - 6 pm, EST or, send your request by E-mail to our support team at ventfans@us.panasonic.com